

Fremdlüfteraggregat FBI, IP 66, Mb. 0K MAR

Forced Ventilation Unit FBI, IP 66, drw. 0K MAR

Ventilation Forcée FBI, IP 66, dessin 0K MAR

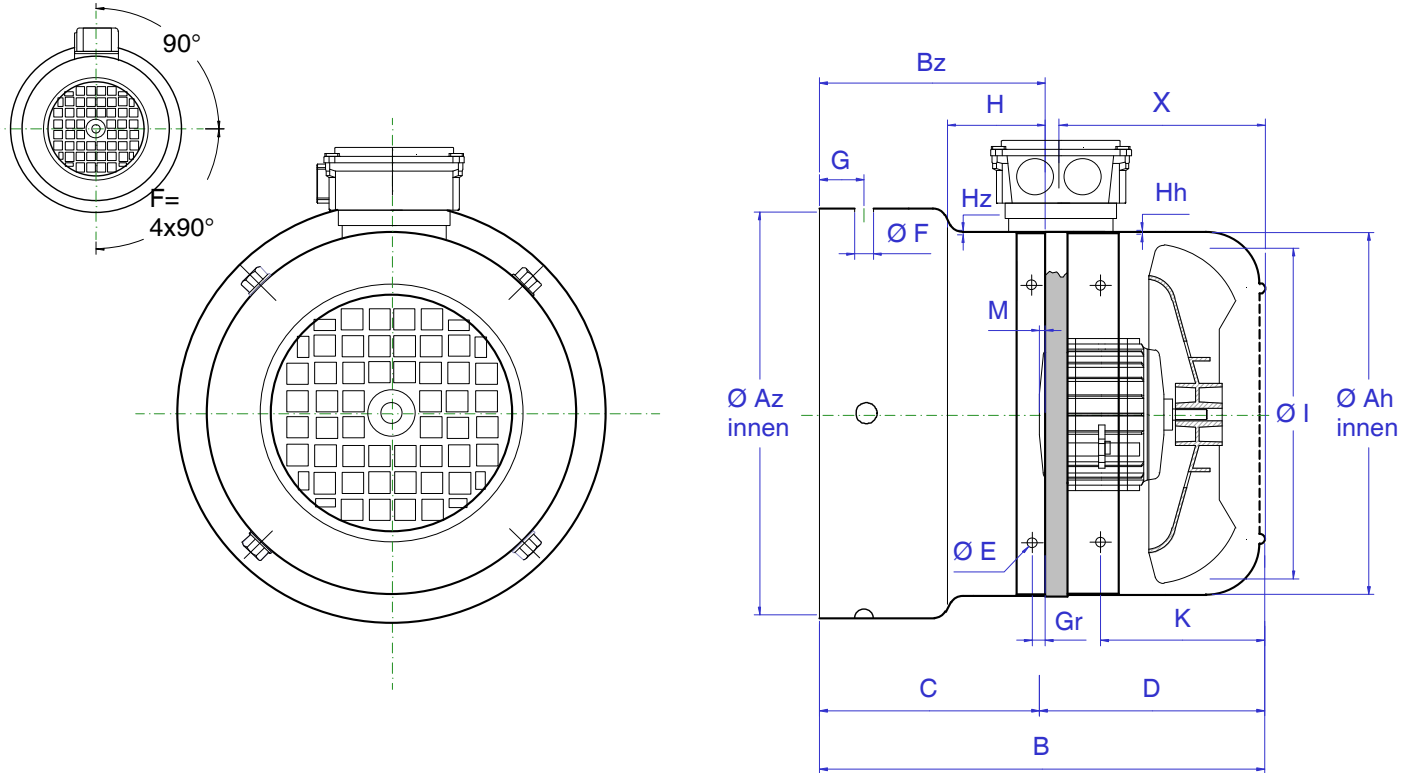
Gruppi per ventilazione assistita FBI, IP 66, disegno 0K MAR

Grupo de ventilación asistida FBI, IP 66, diseño 0K MAR

Marelli

Bg. 63 – 225 RBK

Stand: Juli 04



Abmessungen / Dimensions / Côtes / Dimensioni / Cotas

| Baugröße Frame size Hauteur d'axe Grandezza Medelo | FBI Type FBI Type FBI Tipo | Az Ø | Ah Ø | B | Bz | C | D | M | E Ø (LL) | F Ø (LL) | G | Hh | H _z | I Ø | K | X | Gr | Artikel-Nr. Item number Numéro d'article No. articolo No. articula |
|---|----------------------------------|---------|---------|-----|-----|-----|-----|-----|----------------|----------------|----|-----|----------------|--------|------|-------|----|--|
| MA 063 | 63-2 RBK | 121 | 121 | 175 | 65 | 59 | 116 | 6 | M4 | 4,8x6 | 5 | 1,0 | 1,0 | 115 | 57 | 87 | 5 | FV MAR 063 0K 121 175 |
| MA 071 | 71-2 RBK | 136 | 136 | 177 | 85 | 62 | 115 | 23 | M5 | 4,8x6 | 5 | 1,0 | 1,0 | 130 | 60,5 | 68 | 5 | FV MAR 071 0K 136 177 |
| MA 080 | 80-2 RBK | 157 | 154 | 190 | 100 | 77 | 113 | 23 | M5 | 4,8x6 | 5 | 1,0 | 1,0 | 146 | 61 | 72,5 | 5 | FV MAR 080 0K 157 190 |
| MA 090 | 90-2 RBK | 176 | 174 | 191 | 91 | 73 | 118 | 18 | M5 | 4,8x6 | 6 | 1,0 | 1,0 | 167 | 70 | 83,5 | 5 | FV MAR 090 0K 176 191 |
| MA 100/112 | 100-2 RBK | 195 | 192 | 209 | 99 | 86 | 123 | 13 | M5 | 4,8x6 | 6 | 1,0 | 1,0 | 185 | 77 | 92,5 | 5 | FV MAR 100 0K 195 209 |
| MA 132 | 132-2 RBK | 251 | 255 | 224 | 92 | 95 | 129 | -3 | M5 | 4,8x6 | 6 | 1,0 | 1,0 | 209 | 94 | 114,5 | 5 | FV MAR 132 0K 251 224 |
| MA 1618 M | 160-2 S RBK | 315 | 307 | 310 | 174 | 157 | 153 | 17 | M6 | 7x14 | 30 | 1,5 | 1,5 | 275 | 111 | 75 | 25 | FV MAR 160 0K 315 310 |
| MA 1820 L | 180-2 S RBK | 355 | 345 | 314 | 159 | 167 | 147 | -8 | M6 | 7x14 | 38 | 1,5 | 1,5 | 300 | 120 | 85 | 25 | FV MAR 180 0K 355 314 |
| MA 2225 M | 200-2 S RBK | 409 | 382 | 315 | 137 | 168 | 147 | -31 | M6 | 7x14 | 44 | 1,5 | 1,5 | 300 | 140 | 105 | 25 | FV MAR 225 0K 409 315 |

Abweichende Abmessungen (A, B, G) sowie Sonderausführungen lieferbar!

Different diameters (A, B, G), special versions available!

Possibilité de livrer différents longueurs (A, B, G) modèles 'hors série'!

Deviazione di misure (B,G) sono disponibili!

Diferencias de cotas (B,G) pueden ser entregadas!

Axis Controls Ltd

Unit 9, Kensington Industrial Estate, Hall Street, Southport, Merseyside, PR9 0NY, UK

Tel: +44(0)1704 539 312 Fax: +44(0)1704 530 114 Email: sales@axiscontrols.co.uk * www.axiscontrols.co.uk